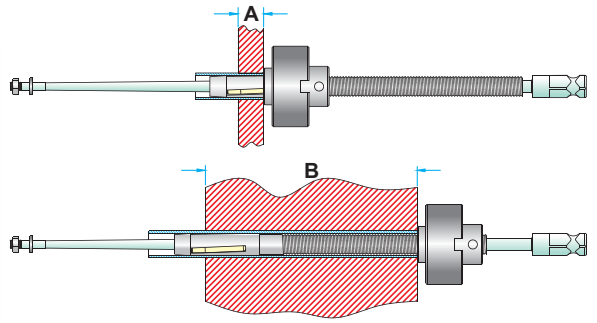


3/8" O.D.

1300 SERIES



FOR TUBES INTERNAL DIAMETER FROM (5.8 mm) .231" TO (8.4 mm) .331"

TUBE EXPANDERS FITTED WITH ROLLER LENGTH	FOR TUBE SHEET ADJUSTABLE RANGE	
	MINIMUM A	MAXIMUM B
(19.05mm) 3/4"	(19.05mm) 3/4"	(76.20mm) 3"
(31.75mm) 1.1/4"	(31.75mm) 1.1/4"	(88.90mm) 3.1/2"

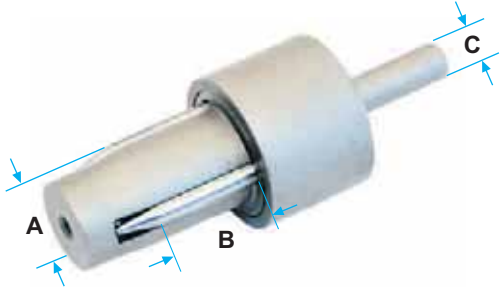
• Use : Oil Coolers, Radiators and other apparatus with small diameter tubes and thick tube sheets.

Tube O.D. (mm) inch	Tube Thickness			Tube I.D.		Minimum I.D. Tool Enters		Maximum Expansion of Tool		EXPANDER with (19.05 mm) 3/4" Long Rollers			EXPANDER with (31.75 mm) 1.1/4" Long Rollers		
	bwg	mm	inch	mm	inch	mm	inch	mm	inch	Complete Tool No.	Mandrel No.	Rollers Set. No.	Complete Tool No.	Mandrel No.	Rollers Set. No.
(9.53) 3/8	15	1.82	.072	5.8	.231	5.8	.230	6.7	.265	1315	M-86	1315	1316	M-86	1316
	16	1.65	.065	6.2	.245	6.1	.240	6.9	.275	1319	M-86	916	1319 L	M-86	916 L
	17	1.47	.058	6.5	.259	6.4	.255	7.3	.289	1317	M-88	903	1318	M-88	904
	18	1.24	.049	7.0	.277	6.9	.272	7.8	.307	1301	M-80	903	1302	M-80	904
	19	1.06	.042	7.3	.291	7.2	.286	8.1	.320	1303	M-81	903	1304	M-81	904
	20	0.88	.035	7.7	.305	7.6	.300	8.4	.334	1305	M-82	907	1306	M-82	908
	21	0.81	.032	7.9	.311	7.7	.306	8.6	.340	1307	M-83	907	1308	M-83	908
	22	0.71	.028	8.1	.319	7.9	.314	8.8	.349	1309	M-84	909	1310	M-84	910
23	0.63	.025	8.2	.325	8.1	.320	9.0	.357	1311	M-84	911	1312	M-84	912	
24	0.55	.022	8.4	.331	8.1	.320	9.0	.357	1311	M-84	911	1312	M-84	912	

Note : All '1300' series expanders come with 1/4" square mandrel drives. Round mandrel drives are optional.

5/16"-1/8" O.D.

AL SERIES



This Expander is used to enlarge the ends of soft tube so that another tube of same size can be inserted into the expanded section and soldered for a leak proof joint. These Expanders are designed to leave 0.015" clearance for slip fit and soldering. Special sizes and shanks on order. Average depth of expansion is 3/4". Specify tube gauge on order.

Tube O.D.		Expander No.	Rollers Set No.	A		B		C	
mm	inch			mm	inch	mm	inch	mm	inch
7.93	5/16	AL-312	ALR-312	8.38	0.33	15.87	5/8	6.35	1/4
9.53	3/8	AL-375	ALR-375	9.90	0.39	15.87	5/8	6.35	1/4
11.11	7/16	AL-407	ALR-407	11.43	0.45	15.87	5/8	7.93	5/16
12.70	1/2	AL-500	ALR-500	13.20	0.52	15.87	5/8	7.93	5/16
14.28	9/16	AL-562	ALR-562	14.73	0.58	19.05	3/4	7.93	5/16
15.87	5/8	AL-625	ALR-625	16.25	0.64	19.05	3/4	7.93	5/16
19.05	3/4	AL-750	ALR-750	19.55	0.77	19.05	3/4	9.52	3/8
22.22	7/8	AL-875	ALR-875	22.60	0.89	19.05	3/4	9.52	3/8
25.40	1	AL-1000	ALR-1000	25.65	1.01	25.40	1	9.52	3/8
28.57	1.1/8	AL-1125	ALR-1125	28.95	1.14	25.40	1	12.70	1/2
31.75	1.1/4	AL-1250	ALR-1250	32.25	1.27	25.40	1	12.70	1/2
34.92	1.3/8	AL-1375	ALR-1375	35.30	1.39	25.40	1	12.70	1/2
38.10	1.1/2	AL-1500	ALR-1500	38.60	1.52	25.40	1	12.70	1/2
41.27	1.5/8	AL-1625	ALR-1625	41.65	1.64	25.40	1	14.28	9/16

Note : All 'AL' series expanders are supplied with round mandrel drives.