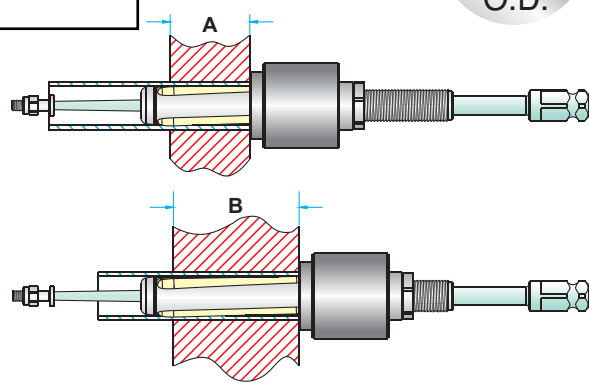


800 SERIES

1/2"-1 1/2"
O.D.

800 SERIES

Call: (613) 764-0572 for Stock Levels and Pricing...



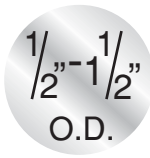
FOR TUBES INTERNAL DIAMETER
FROM (8.4 mm) .334" TO (36.3 mm) 1.43"

Use : Most popular tool worldwide
for use on heat exchangers and condensers
with tubes of 1/2"-1.1/2" O.D.

| TUBE EXPANDERS FITTED WITH ROLLER LENGTH | FOR TUBE SHEET ADJUSTABLE RANGE | |
|--|------------------------------------|-----------------|
| | MINIMUM A | MAXIMUM B |
| (38.1mm) 1.1/2" | (12.7mm) 1/2" | (38.1mm) 1.1/2" |
| (57.1mm) 2.1/4" | (31.7mm) 1.1/4" | (57.1mm) 2.1/4" |

| Tube O.D. (mm) inch | Tube Thickness | | | Tube I.D. | | Minimum I.D. Tool Enters | | Maximum Expansion of Tool | | EXPANDER with (38.10 mm) 1.1/2" Long Rollers | | | EXPANDER with (57.15 mm) 2.1/4" Long Rollers | | |
|---------------------------|----------------|------|------|-----------|------|-----------------------------|------|------------------------------|------|---|----------------|---------------------|---|----------------|---------------------|
| | bwg | mm | inch | mm | inch | mm | inch | mm | inch | Complete Tool No. | Mandrel No. | Rollers Set. No. | Complete Tool No. | Mandrel No. | Rollers Set. No. |
| (12.70) 1/2 | 14 | 2.10 | .083 | 8.4 | .334 | 8.2 | .324 | 9.5 | .374 | 797 | 797 | 797 | - | - | - |
| | 15 | 1.82 | .072 | 9.0 | .356 | 8.8 | .348 | 10.1 | .398 | 799 | 799 | R-1 | - | - | - |
| | 16 | 1.65 | .065 | 9.4 | .370 | 9.1 | .360 | 10.4 | .410 | 801 | M-1 | R-1 | - | - | - |
| | 17 | 1.47 | .058 | 9.7 | .384 | 9.5 | .374 | 10.7 | .424 | 803 | M-1 | R-2 | - | - | - |
| | 18 | 1.24 | .049 | 10.2 | .402 | 9.9 | .392 | 11.3 | .447 | 805 | M-2 | R-3 | - | - | - |
| | 20 | 0.88 | .035 | 10.9 | .430 | 10.3 | .406 | 11.7 | .461 | 805 S | M-3 | R-3 | - | - | - |
| (15.88) 5/8 | 12 | 2.76 | .109 | 10.3 | .407 | 9.9 | .392 | 11.3 | .447 | 805 | M-2 | R-3 | - | - | - |
| | 13 | 2.41 | .095 | 11.0 | .435 | 10.8 | .425 | 12.1 | .480 | 807 | M-3 | R-4 | - | - | - |
| | 14 | 2.10 | .083 | 11.6 | .459 | 11.4 | .449 | 12.9 | .509 | 809 | M-4 | R-4 | 810 | M-4 | R-4-A |
| | 15 | 1.82 | .072 | 12.2 | .481 | 11.9 | .471 | 13.6 | .536 | 811 | M-5 | R-5 | 812 | M-5 | R-5-A |
| | 16 | 1.65 | .065 | 12.5 | .495 | 12.3 | .485 | 13.9 | .550 | 813 | M-5 | R-6 | 814 | M-5 | R-6-A |
| | 17 | 1.47 | .058 | 12.9 | .509 | 12.6 | .499 | 14.3 | .564 | 815 | M-6 | R-6 | 816 | M-6 | R-6-A |
| | 18 | 1.24 | .049 | 13.3 | .527 | 13.1 | .517 | 14.5 | .572 | 817 | M-7 | R-7 | 818 | M-7 | R-7-A |
| | 19 | 1.06 | .042 | 13.7 | .541 | 13.2 | .522 | 14.7 | .582 | 819 | M-6 | R-7 | 820 | M-6 | R-7-A |
| | 20 | 0.88 | .035 | 14.1 | .555 | 13.6 | .536 | 15.1 | .596 | 819 S | M-8 | R-7 | 820 S | M-8 | R-7-A |
| | 21 | 0.81 | .032 | 14.2 | .561 | 13.6 | .536 | 15.1 | .596 | 819 S | M-8 | R-7 | 820 S | M-8 | R-7-A |
| | 22 | 0.71 | .028 | 14.4 | .569 | 13.6 | .536 | 15.1 | .596 | 819 S | M-8 | R-7 | 820 S | M-8 | R-7-A |
| (19.05) 3/4 | 10 | 3.40 | .134 | 12.2 | .482 | 11.9 | .471 | 13.6 | .536 | 811 | M-5 | R-5 | 812 | M-5 | R-5-A |
| | 11 | 3.04 | .120 | 12.9 | .510 | 12.6 | .499 | 14.3 | .564 | 815 | M-6 | R-6 | 816 | M-6 | R-6-A |
| | 12 | 2.76 | .109 | 13.5 | .532 | 13.2 | .522 | 14.7 | .582 | 819 | M-6 | R-7 | 820 | M-6 | R-7-A |
| | 13 | 2.41 | .095 | 14.2 | .560 | 13.9 | .550 | 15.6 | .615 | 821 | M-8 | R-8 | 822 | M-8 | R-8-A |
| | 14 | 2.10 | .083 | 14.8 | .584 | 14.5 | .574 | 16.2 | .639 | 823 | M-8 | R-9 | 824 | M-8 | R-9-A |
| | 15 | 1.82 | .072 | 15.3 | .606 | 15.1 | .596 | 16.7 | .661 | 825 | M-8 | R-10 | 826 | M-8 | R-10-A |
| | 16 | 1.65 | .065 | 15.7 | .620 | 15.3 | .605 | 17.4 | .685 | 827 | M-9 | R-10 | 828 | M-9 | R-10-A |
| | 17 | 1.47 | .058 | 16.1 | .634 | 15.7 | .619 | 17.7 | .699 | 829 | M-9 | R-11 | 830 | M-9 | R-11-A |
| | 18 | 1.24 | .049 | 16.5 | .652 | 15.7 | .619 | 17.7 | .699 | 829 | M-9 | R-11 | 830 | M-9 | R-11-A |
| | 19 | 1.06 | .042 | 16.9 | .666 | 16.3 | .642 | 18.3 | .722 | 831 | M-9 | R-12 | 832 | M-9 | R-12-A |
| | 20 | 0.88 | .035 | 17.2 | .680 | 16.3 | .642 | 18.3 | .722 | 831 | M-9 | R-12 | 832 | M-9 | R-12-A |
| | 21 | 0.81 | .032 | 17.4 | .686 | 16.3 | .642 | 18.3 | .722 | 831 | M-9 | R-12 | 832 | M-9 | R-12-A |
| | 22 | 0.71 | .028 | 17.6 | .694 | 16.3 | .642 | 18.3 | .722 | 831 | M-9 | R-12 | 832 | M-9 | R-12-A |
| (22.22) 7/8 | 10 | 3.40 | .134 | 15.4 | .607 | 15.1 | .596 | 16.7 | .661 | 825 | M-8 | R-10 | 826 | M-8 | R-10-A |
| | 11 | 3.04 | .120 | 16.1 | .635 | 15.7 | .619 | 17.7 | .699 | 829 | M-9 | R-11 | 830 | M-9 | R-11-A |
| | 12 | 2.76 | .109 | 16.6 | .657 | 16.3 | .642 | 18.3 | .722 | 831 | M-9 | R-12 | 832 | M-9 | R-12-A |
| | 13 | 2.41 | .095 | 17.4 | .685 | 17.0 | .670 | 19.0 | .750 | 833 | M-10 | R-13 | 834 | M-10 | R-13-A |
| | 14 | 2.10 | .083 | 18.0 | .709 | 17.4 | .685 | 19.6 | .774 | 835 | M-11 | R-14 | 836 | M-11 | R-14-A |
| | 15 | 1.82 | .072 | 18.5 | .731 | 18.0 | .712 | 20.3 | .801 | 837 | M-11 | R-15 | 838 | M-11 | R-15-A |
| | 16 | 1.65 | .065 | 18.9 | .745 | 18.4 | .726 | 20.7 | .815 | 839 | M-12 | R-15 | 840 | M-12 | R-15-A |
| | 17 | 1.47 | .058 | 19.2 | .759 | 18.8 | .740 | 21.0 | .829 | 843 | M-12 | R-16 | 844 | M-12 | R-16-A |
| | 18 | 1.24 | .049 | 19.7 | .777 | 18.8 | .740 | 21.0 | .829 | 843 | M-12 | R-16 | 844 | M-12 | R-16-A |

Model 797-856 expanders come with 3/8" square mandrel drives and Model 857-900 expanders come with 1/2" square mandrel drives.



800 SERIES

| Tube O.D. (mm) inch | Tube Thickness | | | Tube I.D. | | Minimum I.D. Tool Enters | | Maximum Expansion of Tool | | EXPANDER with (38.10 mm) 1.1/2" Long Rollers | | | EXPANDER with (57.15 mm) 2.1/4" Long Rollers | | |
|---------------------------|----------------|------|------|-----------|-------|--------------------------|-------|---------------------------|-------|--|-------------|------------------|--|-------------|------------------|
| | bwg | mm | inch | mm | inch | mm | inch | mm | inch | Complete Tool No. | Mandrel No. | Rollers Set. No. | Complete Tool No. | Mandrel No. | Rollers Set. No. |
| 1 (25.40) | 8 | 4.19 | .165 | 17.0 | .670 | 16.6 | .655 | 18.6 | .735 | 841 | M-9 | R-13 | 842 | M-9 | R-13-A |
| | 9 | 3.75 | .148 | 17.8 | .704 | 17.4 | .685 | 19.6 | .774 | 835 | M-11 | R-14 | 836 | M-11 | R-14-A |
| | 10 | 3.40 | .134 | 18.5 | .732 | 18.0 | .712 | 20.3 | .801 | 837 | M-11 | R-15 | 838 | M-11 | R-15-A |
| | 11 | 3.04 | .120 | 19.3 | .760 | 18.8 | .740 | 21.0 | .829 | 843 | M-12 | R-16 | 844 | M-12 | R-16-A |
| | 12 | 2.76 | .109 | 19.8 | .782 | 19.3 | .763 | 21.6 | .852 | 845 | M-12 | R-17 | 846 | M-12 | R-17-A |
| | 13 | 2.41 | .095 | 20.5 | .810 | 20.0 | .791 | 22.3 | .880 | 847 | M-12 | R-18 | 848 | M-12 | R-18-A |
| | 14 | 2.10 | .083 | 21.1 | .834 | 20.5 | .810 | 23.0 | .909 | 849 | M-13 | R-18 | 850 | M-13 | R-18-A |
| | 15 | 1.82 | .072 | 21.7 | .856 | 21.2 | .837 | 23.7 | .936 | 851 | M-13 | R-19 | 852 | M-13 | R-19-A |
| | 16 | 1.65 | .065 | 22.1 | .870 | 21.2 | .837 | 23.7 | .936 | 851 | M-13 | R-19 | 852 | M-13 | R-19-A |
| | 17 | 1.47 | .058 | 22.4 | .884 | 21.9 | .865 | 24.4 | .964 | 855 | M-13 | R-21 | 856 | M-13 | R-21-A |
| 18 | 1.24 | .049 | 22.9 | .902 | 21.9 | .865 | 24.4 | .964 | 855 | M-13 | R-21 | 856 | M-13 | R-21-A | |
| 19 | 1.06 | .042 | 23.2 | .916 | 21.9 | .865 | 24.4 | .964 | 855 | M-13 | R-21 | 856 | M-13 | R-21-A | |
| 20 | 0.88 | .035 | 23.6 | .930 | 21.9 | .865 | 24.4 | .964 | 855 | M-13 | R-21 | 856 | M-13 | R-21-A | |
| 1.1/8 (28.58) | 8 | 4.19 | .165 | 20.1 | .795 | 19.7 | .776 | 22.2 | .875 | 853 | M-13 | R-20 | 854 | M-13 | R-20-A |
| | 9 | 3.75 | .148 | 21.0 | .829 | 20.5 | .810 | 23.0 | .909 | 849 | M-13 | R-18 | 850 | M-13 | R-18-A |
| | 10 | 3.40 | .134 | 21.7 | .857 | 21.2 | .837 | 23.7 | .936 | 851 | M-13 | R-19 | 852 | M-13 | R-19-A |
| | 11 | 3.04 | .120 | 22.4 | .885 | 21.9 | .865 | 24.4 | .964 | 855 | M-13 | R-21 | 856 | M-13 | R-21-A |
| | 12 | 2.76 | .109 | 23.0 | .907 | 22.4 | .883 | 24.9 | .982 | 857 | M-14 | R-21 | 858 | M-14 | R-21-A |
| | 13 | 2.41 | .095 | 23.7 | .935 | 23.2 | .916 | 25.7 | 1.015 | 859 | M-14 | R-22 | 860 | M-14 | R-22-A |
| | 14 | 2.10 | .083 | 24.3 | .959 | 23.7 | .935 | 26.5 | 1.044 | 861 | M-15 | R-23 | 862 | M-15 | R-23-A |
| | 15 | 1.82 | .072 | 24.9 | .981 | 24.4 | .962 | 27.2 | 1.071 | 863 | M-15 | R-24 | 864 | M-15 | R-24-A |
| 16 | 1.65 | .065 | 25.2 | .995 | 24.4 | .962 | 27.2 | 1.071 | 863 | M-15 | R-24 | 864 | M-15 | R-24-A | |
| 17 | 1.47 | .058 | 25.6 | 1.010 | 25.1 | .990 | 27.9 | 1.009 | 867 | M-16 | R-26 | 868 | M-16 | R-26-A | |
| 18 | 1.24 | .049 | 26.0 | 1.027 | 25.1 | .990 | 27.9 | 1.009 | 867 | M-16 | R-26 | 868 | M-16 | R-26-A | |
| 1.1/4 (31.75) | 8 | 4.19 | .165 | 23.3 | .920 | 22.8 | .901 | 25.6 | 1.010 | 865 | M-15 | R-25 | 866 | M-15 | R-25-A |
| | 9 | 3.75 | .148 | 24.2 | .954 | 23.7 | .935 | 26.5 | 1.044 | 861 | M-15 | R-23 | 862 | M-15 | R-23-A |
| | 10 | 3.40 | .134 | 24.9 | .982 | 24.4 | .962 | 27.2 | 1.071 | 863 | M-15 | R-24 | 864 | M-15 | R-24-A |
| | 11 | 3.04 | .120 | 25.6 | 1.010 | 25.1 | .990 | 27.9 | 1.009 | 867 | M-16 | R-26 | 868 | M-16 | R-26-A |
| | 12 | 2.76 | .109 | 26.2 | 1.032 | 25.7 | 1.013 | 28.5 | 1.122 | 869 | M-16 | R-27 | 870 | M-16 | R-27-A |
| | 13 | 2.41 | .095 | 26.9 | 1.060 | 26.4 | 1.039 | 29.2 | 1.150 | 871 | M-17 | R-28 | 872 | M-17 | R-28-A |
| | 14 | 2.10 | .083 | 27.5 | 1.084 | 26.9 | 1.060 | 29.6 | 1.169 | 873 | M-17 | R-29 | 874 | M-17 | R-29-A |
| | 15 | 1.82 | .072 | 28.0 | 1.106 | 27.6 | 1.087 | 30.3 | 1.196 | 875 | M-17 | R-30 | 876 | M-17 | R-30-A |
| | 16 | 1.65 | .065 | 28.4 | 1.120 | 27.6 | 1.087 | 30.3 | 1.196 | 875 | M-17 | R-30 | 876 | M-17 | R-30-A |
| 17 | 1.47 | .058 | 28.8 | 1.134 | 28.3 | 1.115 | 31.0 | 1.224 | 879 | M-18 | R-30 | 880 | M-18 | R-30-A | |
| 18 | 1.24 | .049 | 29.2 | 1.152 | 28.3 | 1.115 | 31.0 | 1.224 | 879 | M-18 | R-30 | 880 | M-18 | R-30-A | |
| 1.3/8 (34.92) | 8 | 4.19 | .165 | 26.5 | 1.045 | 26.0 | 1.026 | 28.8 | 1.135 | 877 | M-17 | R-31 | 878 | M-17 | R-31-A |
| | 9 | 3.75 | .148 | 27.4 | 1.079 | 26.9 | 1.060 | 29.6 | 1.169 | 873 | M-17 | R-29 | 874 | M-17 | R-29-A |
| | 10 | 3.40 | .134 | 28.1 | 1.107 | 27.6 | 1.087 | 30.3 | 1.196 | 875 | M-17 | R-30 | 876 | M-17 | R-30-A |
| | 11 | 3.04 | .120 | 28.8 | 1.135 | 28.3 | 1.115 | 31.0 | 1.224 | 879 | M-18 | R-30 | 880 | M-18 | R-30-A |
| | 12 | 2.76 | .109 | 29.3 | 1.157 | 28.7 | 1.133 | 31.5 | 1.242 | 881 | M-18 | R-32 | 882 | M-18 | R-32-A |
| | 13 | 2.41 | .095 | 30.1 | 1.185 | 29.4 | 1.160 | 32.3 | 1.275 | 883 | M-19 | R-33 | 884 | M-19 | R-33-A |
| | 14 | 2.10 | .083 | 30.7 | 1.209 | 29.9 | 1.179 | 32.8 | 1.294 | 885 | M-20 | R-34 | 886 | M-20 | R-34-A |
| | 15 | 1.82 | .072 | 31.2 | 1.231 | 30.6 | 1.206 | 33.5 | 1.321 | 887 | M-20 | R-35 | 888 | M-20 | R-35-A |
| 16 | 1.65 | .065 | 31.6 | 1.245 | 30.6 | 1.206 | 33.5 | 1.321 | 887 | M-20 | R-35 | 888 | M-20 | R-35-A | |
| 1.1/2 (38.10) | 8 | 4.19 | .165 | 29.7 | 1.170 | 29.0 | 1.145 | 32.0 | 1.260 | 889 | M-19 | R-34 | 890 | M-19 | R-34-A |
| | 9 | 3.75 | .148 | 30.5 | 1.204 | 29.9 | 1.177 | 32.8 | 1.294 | 885 | M-20 | R-34 | 886 | M-20 | R-34-A |
| | 10 | 3.40 | .134 | 31.2 | 1.232 | 30.6 | 1.206 | 33.5 | 1.321 | 887 | M-20 | R-35 | 888 | M-20 | R-35-A |
| | 11 | 3.04 | .120 | 32.0 | 1.260 | 31.3 | 1.235 | 34.2 | 1.350 | 891 | M-20 | R-36 | 892 | M-20 | R-36-A |
| | 12 | 2.76 | .109 | 32.5 | 1.282 | 31.9 | 1.257 | 34.8 | 1.372 | 893 | M-20 | R-37 | 894 | M-20 | R-37-A |
| | 13 | 2.41 | .095 | 33.2 | 1.310 | 32.6 | 1.285 | 35.5 | 1.400 | 895 | M-21 | R-37 | 896 | M-21 | R-37-A |
| | 14 | 2.10 | .083 | 33.8 | 1.334 | 32.6 | 1.285 | 35.5 | 1.400 | 895 | M-21 | R-37 | 896 | M-21 | R-37-A |
| | 15 | 1.82 | .072 | 34.4 | 1.356 | 33.8 | 1.331 | 36.7 | 1.446 | 897 | M-21 | R-38 | 898 | M-21 | R-38-A |
| | 16 | 1.65 | .065 | 34.8 | 1.370 | 33.8 | 1.331 | 36.7 | 1.446 | 897 | M-21 | R-38 | 898 | M-21 | R-38-A |
| | 17 | 1.47 | .058 | 35.1 | 1.384 | 33.8 | 1.331 | 37.3 | 1.472 | 899 | M-22 | R-38 | 900 | M-22 | R-38-A |
| 18 | 1.24 | .049 | 35.6 | 1.402 | 33.8 | 1.331 | 37.3 | 1.472 | 899 | M-22 | R-38 | 900 | M-22 | R-38-A | |
| 19 | 1.06 | .042 | 35.9 | 1.416 | 33.8 | 1.331 | 37.3 | 1.472 | 899 | M-22 | R-38 | 900 | M-22 | R-38-A | |
| 20 | 0.88 | .035 | 36.3 | 1.430 | 33.8 | 1.331 | 37.3 | 1.472 | 899 | M-22 | R-38 | 900 | M-22 | R-38-A | |

Model 797-856 expanders come with 3/8" square mandrel drives and Model 857-900 expanders come with 1/2" square mandrel drives.