

FLANGE / PIPE FACING MACHINE FLANGE FACER FF-4000



FF-4000 PNEUMATIC



FF-4000 ELECTRIC

It is quick and simple to remachine damaged flange faced and raised faced ID mount Flange facing machine. This design is based on our FM-4000 which is converted to Flange facer using special attachment.

Features of Flange / Pipe Facing Machine Flange Facer - FF-4000

FEED SHAFT - High strength, precise machined and hardened feed shaft provides powerful feeding to the assembly which slides over it.

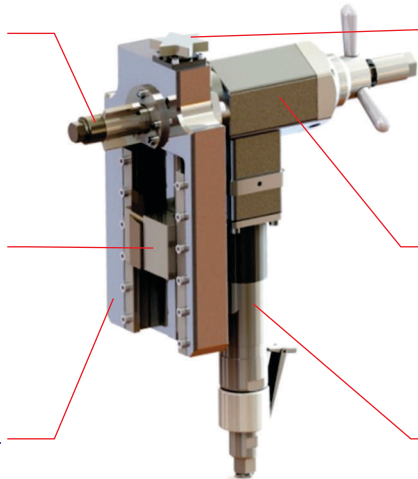
FEED SPROCKET - Quick and easy Radial feed provide to the tool bit.

TOOL HOLDER - Holds the cutting tool bits tightly at the desired position. Its robust construction and support to the cutting bits ensure vibration free performance.

BODY - Light weight, high pressure cast aluminum body allows continuous operation under the harshest conditions.

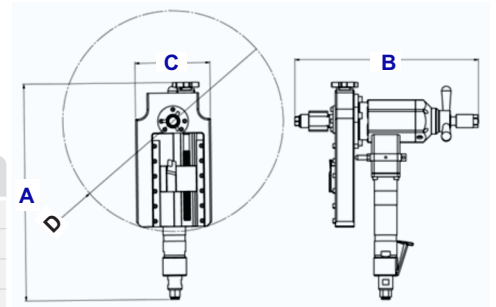
CARRIER - Light weight, high pressure aluminum body.

PNEUMATIC OR ELECTRIC DRIVE - High quality pneumatic or electric drive for reliable service and long working life.



Technical Specification

Drive		Pneumatic	Electric
Locking Range	mm (inch)	35 - 104 (1.38" - 4")	35 - 104 (1.38" - 4")
Application Range	mm (inch)	35 - 356 (1.38" - 14")	35 - 356 (1.38" - 14")
Idle Speed	rpm	70	75
Torque Speed Rate/Pin	mm (inch)	0.16 (0.0062)	0.16 (0.0062)
Feeding Stroke	mm (inch)	17 (0.67")	17 (0.67")
Pneumatic Power	HP	0.83	-
Air Consumption	cfm	55	-
Air Pressure	bar (psi)	6.2 (90)	-
Electric Power	Watts	-	900
Voltage	V	-	110 / 220
Net Weight	kg (lb)	14.2 (31.3)	15.3 (33.7)



	PNEUMATIC (mm)	ELECTRIC (mm)
A	470	520
B	405	405
C	160	160
D	470	470